

Feroball® FBK-series



Product description:

Feroball® is a special designed self lubricating spherical plain bearing for slow moving/oscillating applications. Feroball® bearings are designed for wet or humid situations, Feroball® bearings are also known for their specific low stick-slip limits. Feroball® spherical bearing are available in full composite (FBA series), Steel or Stainless Steel in combination with composite (FBT, FBS and FBX series) and spherical parts out of composite (FBK series)

Design:

The Feroball® FBK series is a product made of Railko NF22 (for shaft Ø16 and Ø20 mm) and Feroform PR18 (for shaft Ø25 and bigger). Although Feroball® bearings are a low stick-slip design, Feroball® FBK bearings have a higher coefficient of friction than Feroball FBT series. Feroball® FBK bearings are special designed for application where the housing has already a spherical shape.

Feroball® FBK series are cut into two parts before turning, therefore the product fits seamlessly.

Standard materials

- Ball: **Feroform PR18**

Standard sizes

Feroball® FBK-series are the standard range of the Feroball® spherical plain bearing design. The Feroball® FBK are standard available for shaft sizes of Ø16 up to Ø200 mm.

Grease grooves

Although Feroball® FBK-series bearing are a self lubricating design, we standard supply the bearings with a grease groove. Feroball® FBK-series bearings are standard produced for shafts in the range from Ø16 up to Ø200 mm. On request grease grooves can be produced in diameters above Ø30mm ID. All grooves come with 2 grease holes.

Specials

For special applications special changes can be made to the Feroball® concept.

Possible changes are for example:

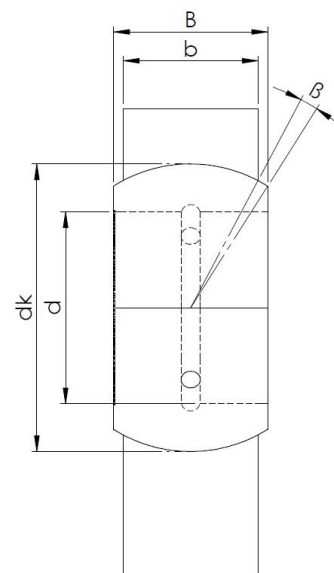
- Different and bigger diameters
- Different wideness
- Without grease groove and holes

Kühne Industrie BV has designed many changes to fit Feroball® bearings in existing applications or on design request.

Feroball® bearings are original designed and produced by Kuhne Industrie BV. Feroball® is a registered trademark of Kuhne Industrie BV

Feroball® FBK-series

Art. Nr.	Ball sizes			Housing		Ang. of tilt	Dyn. load	Stat. load
	d mm	B mm	dk mm	b mm	dk C9 Mm	β °	C $\times 10^3$ N	C ₀ $\times 10^3$ N
FBK-16S	16	16	28	14	28	4	17	65
FBK-20S	20	20	33	18	33	4	28	108
FBK-25S	25	26	44	22	44	6	77	256
FBK-32S	32	26	48	22	48	5	85	282
FBK-35S	35	32	55	26	55	5	120	397
FBK-40S	40	32	60	28	60	4	131	433
FBK-50S	50	50	75	45	75	5	244	809
FBK-60S	60	60	90	50	90	8	357	1185
FBK-70S	70	65	100	60	100	3	422	1402
FBK-80S	80	70	110	60	110	6	511	1695
FBK-90S	90	80	125	70	125	5	660	2190
FBK-100S	100	90	140	80	140	5	828	2748
FBK-110S	110	100	155	90	155	4	1015	3368
FBK-125S	125	100	166	90	166	4	1103	3659
FBK-140S	140	125	194	110	194	5	1596	5298
FBK-150S	150	140	210	130	210	3	1895	6288
FBK-160S	160	150	225	140	225	3	2172	7208
FBK-180S	180	160	250	150	250	3	2599	8625
FBK-200S	200	190	290	180	290	2	3548	11775



Feroball® bearings are original designed and produced by Kuhne Industrie BV, Feroball® is a registered trademark of Kuhne Industrie BV