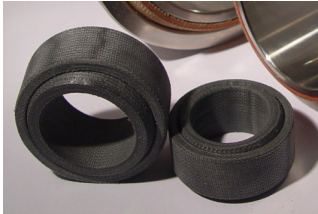


## Feroball® FBA-series (full composite)



### Product description:

Feroball® is a special designed self lubricating spherical plain bearing for slow moving/oscillating applications. Feroball® bearings are designed for wet or humid situations, Feroball® bearings are also known for their specific low stick-slip limits. Feroball® spherical bearing are available in full composite (FBA series) and Steel or Stainless Steel (FBT and FBX series).

### Design:

The Feroball® FBA series is a product made of Feroform PR18. This makes the Feroball® FBA a superior corrosion resistance spherical bearing. Although Feroball® bearings are a low stick-slip design, Feroball® FBA bearings have a higher coefficient of friction than Feroball FBT series.

Feroball® FBA bearings are special designed for application where use of metal parts must be avoid.

### Standard materials

- Inner ring: **Feroform PR18**
- Outer ring: **Feroform PR18**

### Standard sizes

Feroball® FBA-series are the standard range of the Feroball® spherical plain bearing design. The Feroball® FBA full composite are only available as ND-series (Normal Duty design) and start with a shaft size of Ø25 going up to Ø140 mm.

### Grease grooves

Although Feroball® FBA-series bearing are a self lubricating design, it is possible to grease the bearings to increase lifetime. Feroball® FBA-series bearings are standard produced in the range Ø25 up to Ø140 without grease grooves. On request grease grooves can be produced in diameters above Ø30mm ID. All grooves come with three grease holes.

### Specials

For special applications special changes can be made to the Feroball® concept. Kuhne Industrie BV has designed many changes to fit Feroball® bearings in existing applications or on design request to avoid thermal expansions and other combined radial and longitudinal movements.

### Lifetime Calculation

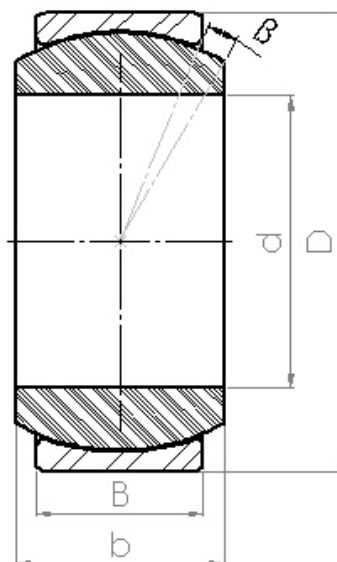
To prevent bearings from failure it is important to choose the right bearing design. Kuhne Industrie BV can advise for design and calculate life time prediction as an extra service to the Feroball® products.



Feroball® bearings are original designed and produced by Kuhne Industrie BV, Feroball® is a registered trademark of Kuhne Industrie BV

## Feroball® FBA-series

Art. Nr.	Sizes				Ang. of tilt	Dyn. load	Stat. load
	d mm	D mm	B mm	b mm	$\beta$ °	C x10 <sup>3</sup> N	C <sub>0</sub> x10 <sup>3</sup> N
FBA-25	25	42	16	20	6	43	157
FBA-30	30	47	18	22	6	55	199
FBA-35	35	55	20	25	6	72	259
FBA-40	40	62	22	28	7	89	319
FBA-45	45	68	25	32	7	111	401
FBA-50	50	75	28	35	6	139	499
FBA-60	60	90	36	44	6	216	777
FBA-70	70	105	40	49	6	272	978
FBA-80	80	120	45	55	6	355	1278
FBA-90	90	130	50	60	5	433	1561
FBA-100	100	150	55	70	7	537	1933
FBA-110	110	160	55	70	6	580	2088
FBA-120	120	180	70	85	6	809	2912
FBA-140	140	210	70	90	7	941	3386



Feroball® bearings are original designed and produced by Kuhne Industrie BV, Feroball® is a registered trademark of Kuhne Industrie BV